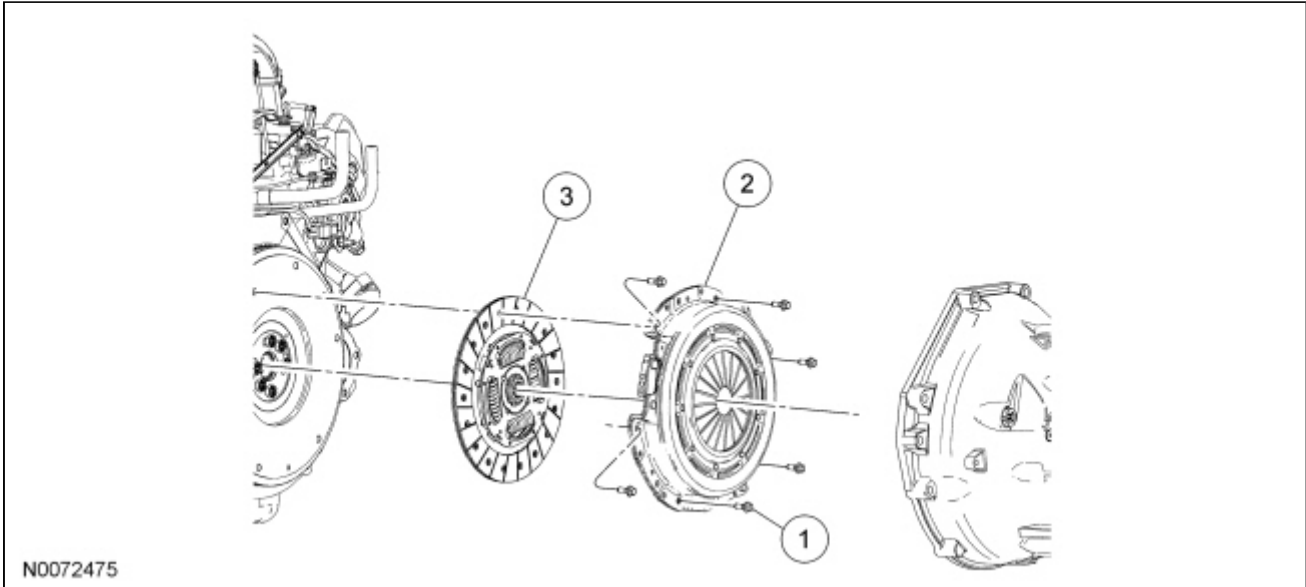


## Clutch Disc and Pressure Plate — 4.0L

### Clutch Disc and Pressure Plate



Item	Part Number	Description
1	W709479	Clutch pressure plate bolt (6 required)
2	7563	Clutch pressure plate
3	7550	Clutch disc

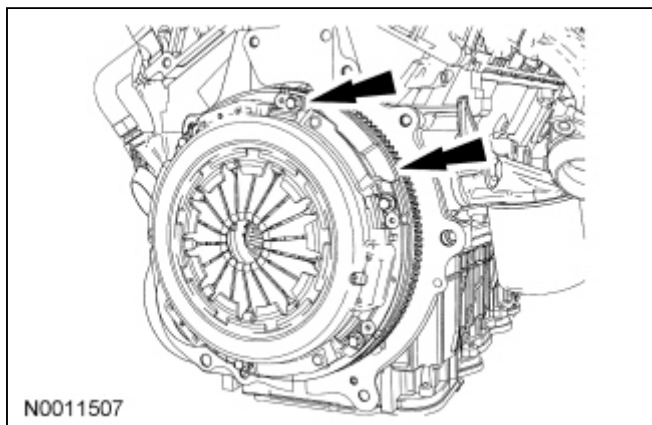
### Removal

1. Remove the transmission. For additional information, refer to [Section 308-03A](#).
2. **NOTICE:** Loosen the bolts evenly to prevent clutch pressure plate damage.

**NOTE:** If the parts are to be reused, index-mark the pressure plate to the flywheel.

Remove the 6 pressure plate bolts, then remove the pressure plate and the clutch disc.

- Discard the pressure plate bolts.



### Installation

**NOTE:** If installing the original pressure plate, align it using the index marks made during removal.

**NOTE:** Always install new pressure plate bolts.

1. Inspect the flywheel. For additional information, refer to Flywheel Runout Check in [Section 308-00](#).
2. Using a suitable clutch aligner, position the clutch disc on the flywheel, then install the pressure plate and 6 new pressure plate bolts.
  - Tighten the bolts in a star pattern.
  - Tighten to 35 Nm (26 lb-ft).
3. **NOTE:** Before securing the transmission to the engine, connect the clutch hydraulic tube to the slave cylinder.

Install the transmission. For additional information, refer to [Section 308-03A](#).

4. Bleed the clutch hydraulic system. For additional information, refer to [Section 308-00](#).
-